

Pressure Gauges / Differential Pressure Gauges / DG-CL 1,6 / CL 1,0 / DG100DLS1/High Ranges

**CONSTRUCTIVE PROPERTIES**

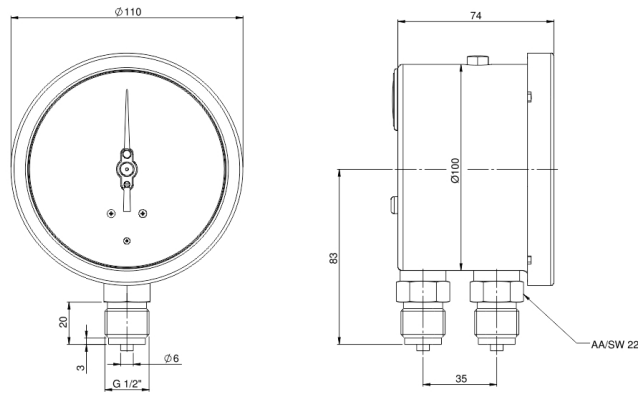
	STANDARD	OPTIONAL
Mounting Type	Bottom Connection	See Technical Drawing
Scale Unit	bar	bar/psi   psi   kg/cm <sup>2</sup>
Scale Range (PN)	2,5   4   6   10	
Case	Stainless Steel AISI-304	-
Bezel	Stainless Steel AISI-304	-
Window	Safety Glass	-
Movement	Stainless Steel AISI-304	-
Wetted Parts	Stainless Steel AISI-316L	-
Connection	G 1/2" B	1/2" NPT
Dial	Aluminum	-
Pointer	Adjustable Aluminum	-
Welding	Special Welding	-
Filling Liquid	-	Glycerine



**DG100DLS1**  
High Ranges

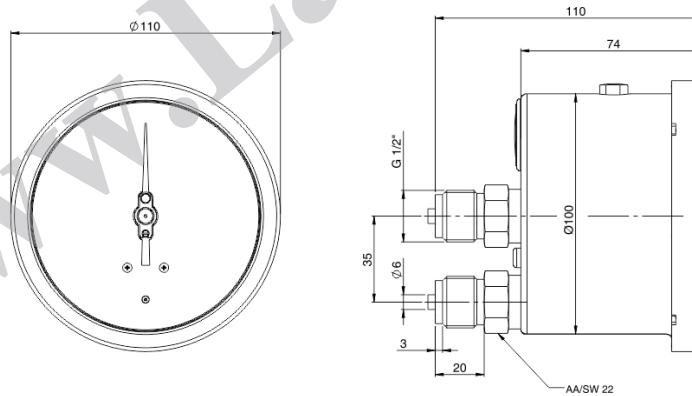
**USAGE PROPERTIES**

Fluid Temperature	Maximum + 200 °C	-
Ambient Temperature	- 20 ... + 60 °C	-
Operating Pressure (max.)	Full Scale Value x2	
Accuracy Class	CL 1.0	-
Protection Rate	IP 65	-
Optimum Operating Range	Between 0,0 x PN and 1,0 x PN	
Storage Temperature	-40 ... +70 °C	-
Conformity	EN 837 - 1	-
Mechanical Shock Test Load	15g	-



Model No: DG100DLS1

Bottom Connection



Model No: DG100DLS2

Back Connection